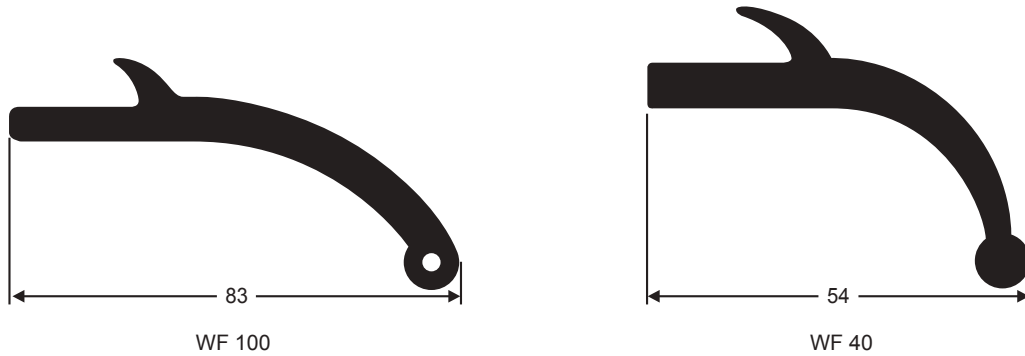
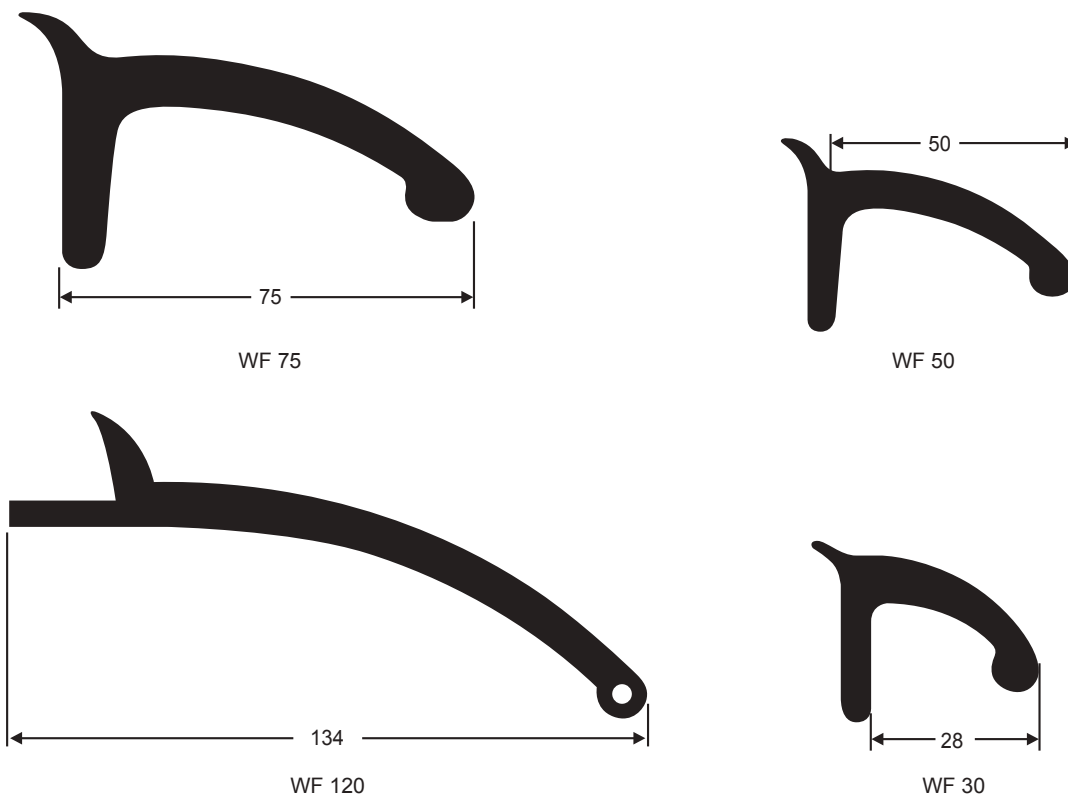


WHEEL ARCH FLARES

Wheel arch flare especially designed for the four wheel drive industry. Suitable for fitting under the wheel arch when wheel protrudes past the guards. Sizes suitable for heavy and light transport.



Wheel arch flare designed to be fitted from the side of the guard. Suitable for most vehicles.

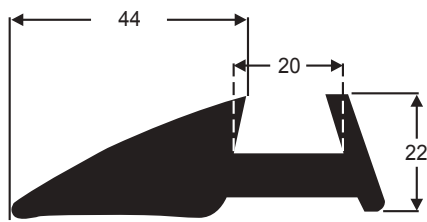


STANDARD 30 METRE COILS

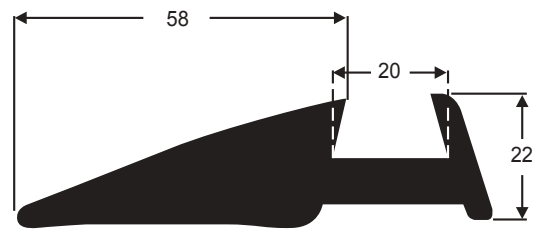
Made in Australia

WHEEL ARCH FLARES

Heavy duty wheel arch flares designed to be more rugged and durable.
Designed to be fitted under wheel arch when the wheel protrudes past the guards. Suitable for four wheel drive and transport industry



WF 44N



WF 58N



WF 75N

STANDARD 20 METRE COILS

Made in Australia